

DWG. NO. SD-35362-001

SIMILAR ITEM

PROJECT NO.

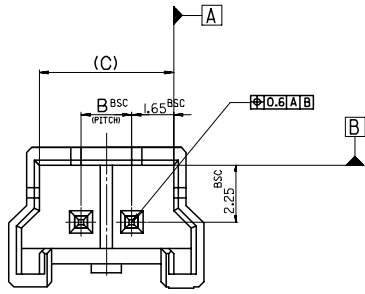
C

B

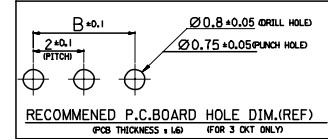
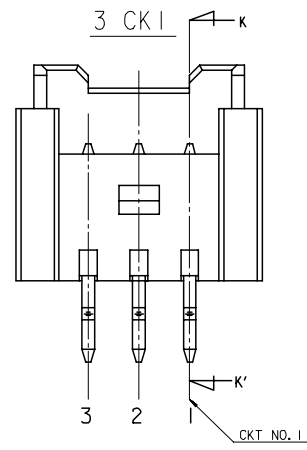
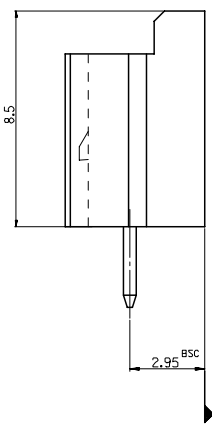
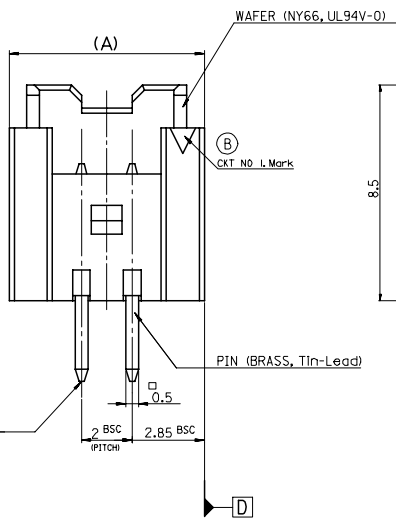
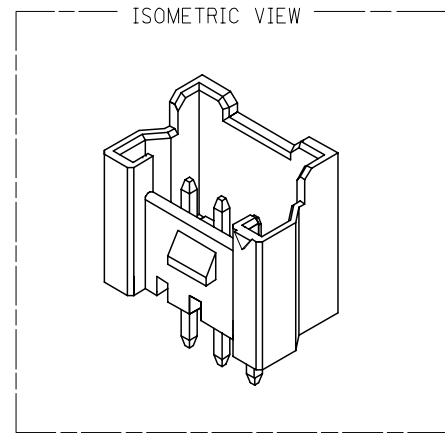
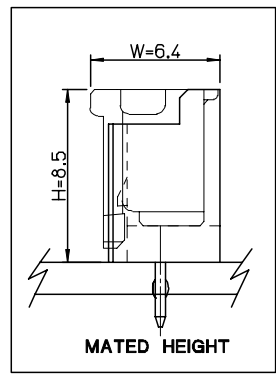
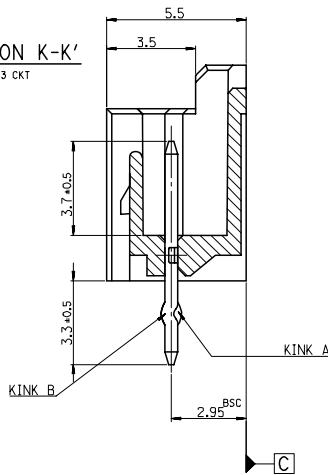
DO NOT SCALE DRAWING
DIMENSION IN METRIC

8 7 6 5 4 3 2 1

FOR 2 & 3 CKTS.



SECTION K-K'
ONLY 3 CKT



LEGEND

FINAL GOOD (BULK)	1 : SELECTIVE KINK	KINK	0 : NATURAL
	2 : NONE KINK		
SUB ASSY (TUBE)	3 : SELECTIVE KINK	KINK	1 : BLACK
	4 : NONE KINK		2 : RED
			3 : YELLOW
			4 : BLUE
			5 : GREEN

SD-35362-***
CKT NO. _____ COLOR _____

7.3	4	9.7	35362-03**	3
5.3	2	7.7	35362-02**	2
(C)	B	(A)	ENG. NO.	CKT

NOTES

- MATERIAL : WAFER : POLYAMIDE(PA), NO GLASS, UL94V-0 . NATURAL COLOR
PIN : BRASS . TIN LEAD PLATED
- FINISHES : TERMINAL : Sn-Pb 2~3um OVERALL
- PRODUCT SPECIFICATION : PS-35507
- MATING HOUSING : 35507-***
MATING TERMINAL : 50212-8000
- KINK

CKT NO	1	2	3
2 CKT	NONE KINK		
3 CKT	A	B	A

30 over	±0.3
10 over 30 under	±0.25
10 under	±0.2
ANGLE	±3°
GENERAL TOLERANCE	

REVISED
ECN NO. KOR2006-0004
DRWN: Y.Soo.Kim 05/07/05
CHK: Y.Soo.Kim 05/07/05
APPR: C.W.Lee

QUALITY SYMBOLS
MAJOR
CRITICAL
DESCRIPTION
REV

GENERAL TOLERANCES:
(UNLESS SPECIFIED)

4 PLACES	±0.	±.
3 PLACES	±0.	±.
2 PLACES	±0.	±.
1 PLACE	±0.	±.

ANGULAR: ± 3°

DRAFT WHERE APPLICABLE MUST REMAIN WITHIN DIMENSIONS

SCALE 1:1
DESIGN UNITS
 mm INCH
DRAWN BY & DATE
Y.S.KIM 96/09/11
CHECKED BY & DATE
Y.Soo.Kim 96/09/11
APPROVED BY & DATE
C.W.Lee 96/09/11
CAD FILENAME
SD35362-001-S02

DIMENSIONS:
 mm INCH mm ONLY

THIRD ANGLE PROJECTION

TITLE:
2.0mm W/B CONN.
WAFER ASS'Y (S/T)

MOLEX INCORPORATED

MATERIAL NO. See Table
DRAWING NO. SD-35362-001
SHEET NO. 2 of 3

THIS DRAWING CONTAINS INFORMATION THAT IS PROPRIETARY TO MOLEX INCORPORATED AND SHOULD NOT BE USED WITHOUT WRITTEN PERMISSION.

SIZE B

F

E

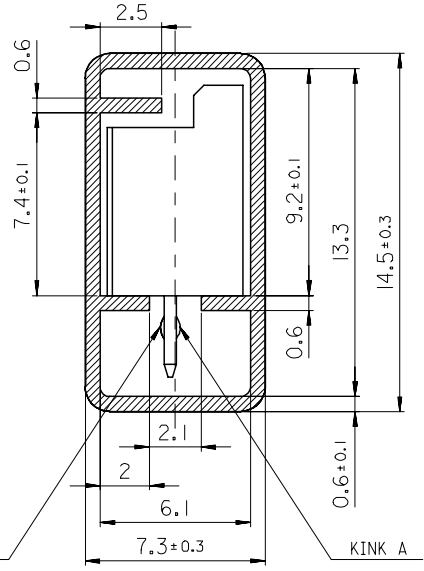
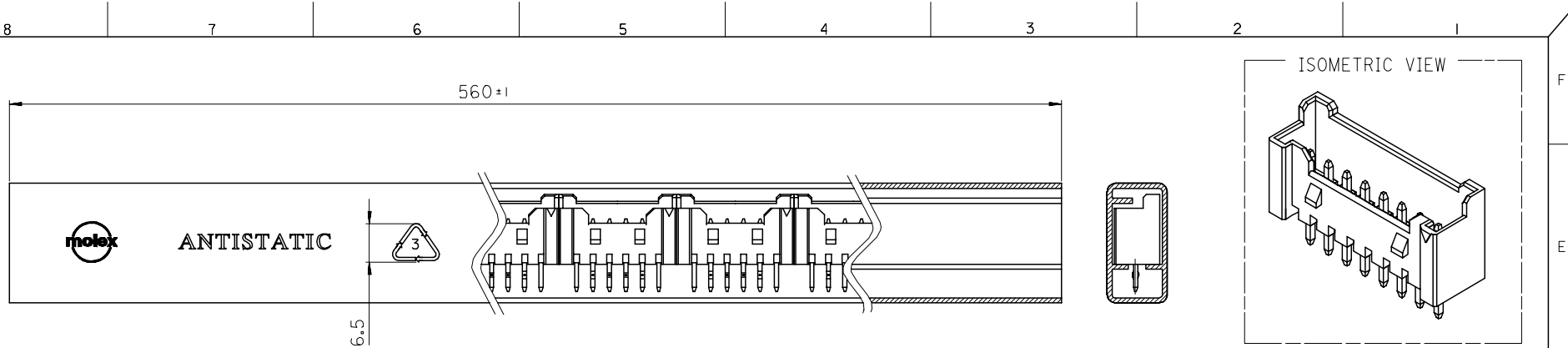
D

C

B

A

8 7 6 5 4 3 2 1 KOREA MX-A3



LEGEND.

E-35362-*** ** *
2-20 Circuits-CKT NO.

Final GOOD (Bulk)
 1 : SELECTIVE KINK
 2 : NONE KINK

Sub Assy (Tube)
 3 : SELECTIVE KINK
 4 : NONE KINK

COLOR & PACKING

0 : NATURAL
 1 : BLACK
 2 : RED
 3 : YELLOW
 4 : BLUE
 5 : GREEN
 6 : TUBE PACKING (Natural Color)
 7 : TUBE PACKING (RED Color)
 8 : TUBE PACKING (BLUE Color)

NOTES

- MATERIAL : TUBE - TRANSLUCENT P.V.C (P-1000)
Wafer - POLYAMIDE, UL94V-0
PIN - BRASS SD 0.5mm
- BOW(CAMBER) : 1.0mm MAX/Total Length
- DIMENSIONS GIVEN ACROSS CENTER LINES ARE SYMMETRICAL ABOUT THOSE CENTER LINES WITH HALF THE TOTAL LENGTH.
- TOTAL TUBE LENGTH : 560mm ± 1mm
- TWIST : 5° MAX./Total Length
- BURRS : 0.2mm MAX.
- SKEW : PRODUCTS MUST BE FLOWED SMOOTHLY WHEN THIS STICK IS PLACES 30° ANGLE.
- THICKNESS : 0.6mm ± 0.1mm
- ARTWORK : PER E-35900-0434 (SILK SCREEN COLOR : RED)
- APPLICABLE STOPPER(RUBBER) : 35900-0435

TABLE

10	20**	-20**	20
10	19**	-19**	19
10	18**	-18**	18
10	17**	-17**	17
15	16**	-16**	16
15	15**	-15**	15
15	14**	-14**	14
15	13**	-13**	13
15	12**	-12**	12
20	11**	-11**	11
20	10**	-10**	10
25	09**	-09**	9
25	08**	-08**	8
30	07**	-07**	7
35	06**	-06**	6
40	05**	-05**	5
50	04**	-04**	4
60	03**	-03**	3
70	3536202**	35362-02**	2
QT'y	Material NO.	ENG. NO.	CKT

KINK TABLE(FOR 35362-****)

CKT NO	1	2	3	4	5	N-2	N-1	N
6 CKT OVER	-	A	B	-	-	B	A	-
5 CKT	A	B	-	B	A	/	/	/
4 CKT	A	B	B	A	/	/	/	/
3 CKT	A	B	A	/	/	/	/	/
2 CKT	None Kink		/	/	/	/	/	/

NEW RELEASED EC NO. KOR2006-0082 DRWN: K.S.KIM (060102) CHK: Y.SooKIM APPR: SH.CHOI	QUALITY SYMBOLS MAJOR = CRITICAL =	GENERAL TOLERANCES: (UNLESS SPECIFIED)	SCALE 5 : 1	DESIGN UNITS <input checked="" type="checkbox"/> mm <input type="checkbox"/> INCH	THIRD ANGLE PROJECTION	DIMENSIONS: <input type="checkbox"/> mm INCH <input type="checkbox"/> INCH <input checked="" type="checkbox"/> mm ONLY	SHT	REV
		4 PLACES ±0.1	±	DRAWN BY & DATE K.S.KIM (060102)	TITLE: TUBE PACKAGING FOR 35362-****			
		3 PLACES ±0.1	±	CHECKED BY & DATE Y.SooKIM	MOLEX INCORPORATED KOREA			
		2 PLACES ±0.1	±	APPROVED BY & DATE SH.CHOI	MATERIAL NO. SEE TABLE	DRAWING NO. SD-35362-004	SHEET NO. 1 of 1	
1 PLACE ±0.2	±	CAD FILENAME	THIS DRAWING CONTAINS INFORMATION THAT IS PROPRIETARY TO MOLEX INCORPORATED AND SHOULD NOT BE USED WITHOUT WRITTEN PERMISSION.				SIZE B	
REV DESCRIPTION		DRAFT WHERE APPLICABLE MUST REMAIN WITHIN DIMENSIONS		MX-A3				